



Model HT 40S

VEHICLE DESCRIPTION

The model Hydra Trac 40S is a hydrostatic all-terrain carrier with quality engineering, excellent performance, and providing long term value. It's unique features give outstanding performance in the geophysical, pipeline, utility and construction industries.

STANDARD SPECIFICATIONS – MODEL HT-40S

POWER TRAIN

Engine

Cummins EPA Approved Tier 3 –
QSB 4.5L (160) HP @ 2500 RPM
Torque (460) lb-ft @ 1500 RPM

Hydrostatic Drive

Pump Drive – 2 Pad Durst
Pumps (2) Sundstrand series 90L
Motors (2) Sundstrand series 90M
Torque Hubs (2) Fairfield
Oil reservoir c/w cooler
System operating pressure 5,000 PSI
Steering – Electric self centering steering wheel

Cab

Single man or Two man **R.O.P.S.** Certified, dome light, headlights, two speed windshield wipers, insulated, heated,
Optional: Crew cab, air conditioning, defroster fans

Instruments: Full instrumentation: Tachometer with Engine hours, Fuel Gauge, Voltmeter, Hydraulic Temperature, Pump Charge Pressure, Engine Temperature & Pressure

GENERAL SPECIFICATIONS – MODEL HT-40S

Electrical

Alternator - 130 Amp. 12 Volt
Battery – (2) (31-901CTC) AC Delco

Suspension

6000lb torsional suspension per axle

Wheel hubs

Grease hubs

Tires

7.00 x 12 – solid rubber / shaved

Wheels

Rims 5.00 x 12

Tracks

Heavy Duty 4 ply polyester nylon cord belt with rubber covering.

Grouser Bar

Forged spring steel 2.5” (63.5mm) wide, .323” thick (8.2mm) thick

Overall Track Width

28.0” (711.2mm) **Optional** 33.0” (838mm)

Sprockets

Steel Hub with replaceable urethane inserts

Idlers

Front elevated steel sprocket with replaceable urethane inserts

Fuel Capacity

70 US Gallons

ADDITIONAL STANDARD EQUIPMENT

- Bush Guard
- Pintle Hook
- Exhaust Pipe Rain Caps
- Full Underpan c/w 3 removable sections
- Operators Maintenance & Parts Manual
- Tie down hooks

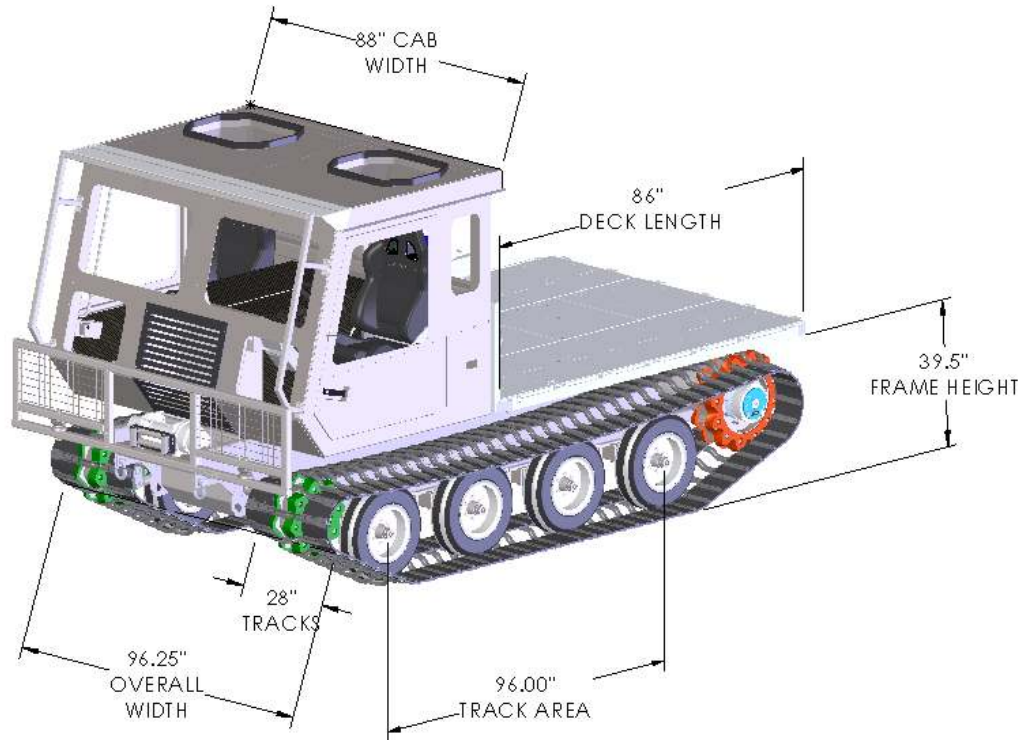
OPTIONS AVAILABLE

- Tundra Tracks
- Winches
- Decks
- Cab Brush Guard
- Foam Filled Tires
- Cranes, Digger Derricks
- 33" D-Dent Tracks
- Extra Fuel Tanks
- Spare Wheel & Mount
- Reinforcing Bars for Grouser Bars
- Reinforcing Bars with Picks
- Custom Configurations

DIMENSIONS	Imperial	Metric	PERFORMANCE	
Length			Turning Radius	0
Overall	192"	4.88m	Fording Depth	39"
Height			Ground Clearance	13"
Overall	103"	2.61m	Maximum Speed	10 mph
Width			Gradeability:	Forward 60% Side 40%
Overall				
Tracks On	96.25"	2.44m	GROUND PRESSURE	
Tracks Off	96.25"	2.44m	Track Area @ 0" penetration	5,376 sq in. 378 kg/cm ²
			Track Area @ 6" penetration	7,168 sq in. 504 kg/cm ²
WEIGHTS	Lbs.	Kg.	PSI	Kg/sq. cm.
Tare:	12,000	5,443	No load - 0" penetration	.223
Payload:	4,000	1,814	Loaded - 0" penetration	.297
G.V.W.	16,000	7,257	No load - 6" penetration	.167
			Loaded - 6" penetration	.223

Note: Tare weight includes winch, deck, and bush guard

Schematic Drawing & Dimensional Detail



Unless otherwise stated, specifications are for standard unit and are subject to change without notice. For information on available options, please contact Track Industries Ltd.