



Model HT 500XL

VEHICLE DESCRIPTION

The model Hydra Trac HT500XL is a heavy duty hydrostatic all-terrain carrier with quality engineering, excellent performance, and providing long term value. It's unique features give outstanding performance in the geophysical, pipeline, utility and construction industries.

STANDARD SPECIFICATIONS – MODEL HT-500XL

POWER TRAIN

Engine

Cummins EPA Approved Tier 3 QSX-15 (500) HP
Torque (1744) lbs/ft @ 1400 RPM

Hydrostatic Drive

Pump Drive – 3 Pad Durst
Pumps (2) Sundstrand series - 90L series
Motors (2) Sundstrand series – 51V series
Torque Hubs (2) Fairfield
Oil Reservoir c/w Cooler
System operating pressure - 6090 PSI
Controls – Electric self centering steering wheel

Cab:

Single man or Two man **R.O.P.S.** Certified, dome light, headlights, two speed windshield wipers, insulated, heated,

Optional: Crew cab, air conditioning, defroster

Instruments: : Full instrumentation: Tachometer with Engine hours, Fuel Gauge, Voltmeter, Hydraulic Temperature, Pump Charge Pressure, Engine Temperature & Pressure

GENERAL SPECIFICATIONS – MODEL HT-500XL

Electrical

Alternator – 160 Amp. 12 Volt

Battery – (3) - (31-901CTC) AC Delco

Suspension

Heavy Duty Walking Beams c/w urethane bushings

Wheel hubs

Oil Bath c/w metal face seals

Load Wheels

Tires – 1000 x 20 – Solid rubber

Brakes

Spring Applied, Hydraulic released.

Wheels

Rims – 7.50 x 20 -12 stud heavy duty, extra reinforcing

Tracks

PN 240 Heavy Duty 6 ply polyester nylon cord belt with rubber covering

Grouser Bar

Spring steel, heavy duty-1/2"x4 1/2" (12.7mm x 114.3mm)

Overall Track Width

45" (1143mm)

Sprockets

Steel Hubs with replaceable cast iron sprockets

Idlers

Steel Hubs with replaceable cast iron sprockets

Fuel Capacity

130 US Gallons

ADDITIONAL STANDARD EQUIPMENT

- Bush Guard
- Pintle Hook
- Exhaust Pipe Rain Caps
- Full Underpan c/w 3 removable sections
- Operators Maintenance & Parts Manual
- Tie down hooks

OPTIONS AVAILABLE

- Tundra Tracks
- Winches
- Decks
- Cab Brush Guard
- Foam Filled Tires
- Cranes, Digger Derricks
- Aerial Devices
- Extra Fuel Tanks
- Spare Wheel & Mount
- Reinforcing Bars for Grouser Bars
- Reinforcing Bars with Picks
- Custom Configurations

DIMENSIONS

Length

Overall 430" 10.92m

Height

Overall 144" 3.66m

Width

Overall 143.50" 3.645m

Tracks On 143.50" 3.645m

Tracks Off 143.50" 3.645m

WEIGHTS

Tare: 55,000 Lbs. 24,947 Kg.

Payload: 50,000 Lbs. 22,680 Kg.

G.V.W. 105,000 Lbs. 47,627 Kg.

Note: Tare weight includes winch and bush guard

PERFORMANCE

Turning Radius 0 0

Fording Depth 55" 140cm

Ground Clearance 19.3" 49.3cm

Maximum Speed 6 mph 9.7 km/h

Gradeability: Forward 30% Side 15%

GROUND PRESSURE

Track Area @ 0" penetration 17,100 sq in. 11.03 m²

Track Area @ 6" penetration 22,050 sq in. 14.26 m²

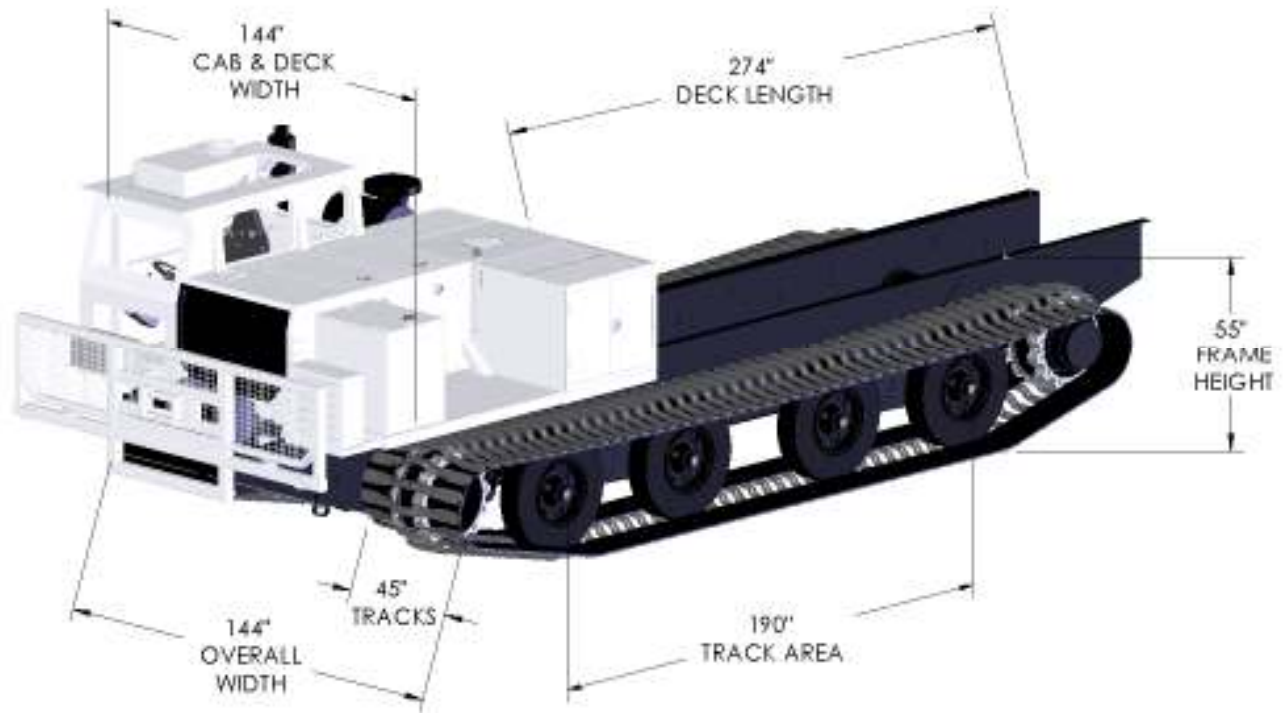
No load - 0" penetration 3.22 PSI .226 Kg/sq. cm.

Loaded - 0" penetration 6.14 PSI .431 Kg/sq. cm.

No load - 6" penetration 2.50 PSI .176 Kg/sq. cm.

Loaded - 6" penetration 4.76 PSI .335 Kg/sq. cm.

Schematic Drawing & Dimensional Detail



Unless otherwise stated, specifications are for standard unit and are subject to change without notice. For information on available options, please contact Track Industries Ltd.